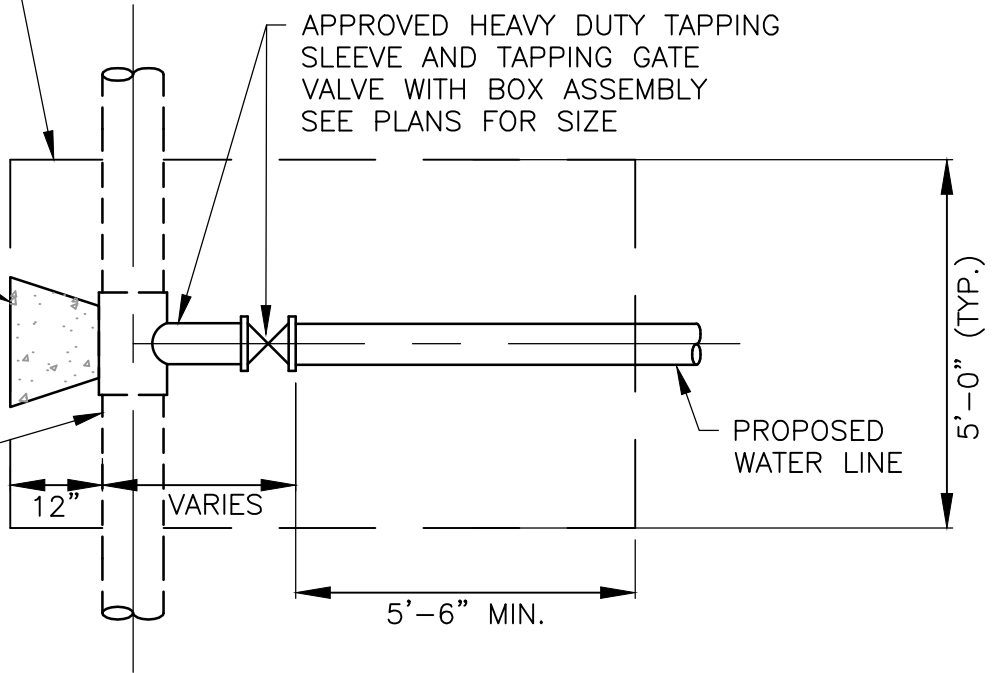


EXTENT OF EXCAVATION.
EXCAVATION DEPTH TO
BE 12" BELOW BOTTOM
OF MAIN

SEE STANDARD
THRUST
BLOCKING DETAIL

EXISTING
WATERLINE



NOTES:

1. ONLY HEAVY DUTY, MJ TAPPING SLEEVE AND TAPPING GATE VALVE SHALL BE USED.
2. TAPPING SLEEVE AND VALVE SHALL BE TESTED PRIOR TO THRUST BLOCK INSTALLATION.
3. TAPPING SLEEVE AND VALVE SHALL BE AIR TESTED AT 100 PSI FOR 10 MINUTES.



TRAVIS COUNTY WATER CONTROL AND
IMPROVEMENT DISTRICT No. 17
STANDARD DETAILS

ADOPTED:
03/01/2016

PRESSURE TAP INSTALLATION

THE ARCHITECT/ENGINEER ASSUMES
RESPONSIBILITY FOR APPROPRIATE
USE OF THIS STANDARD.

DETAIL NO.
W05